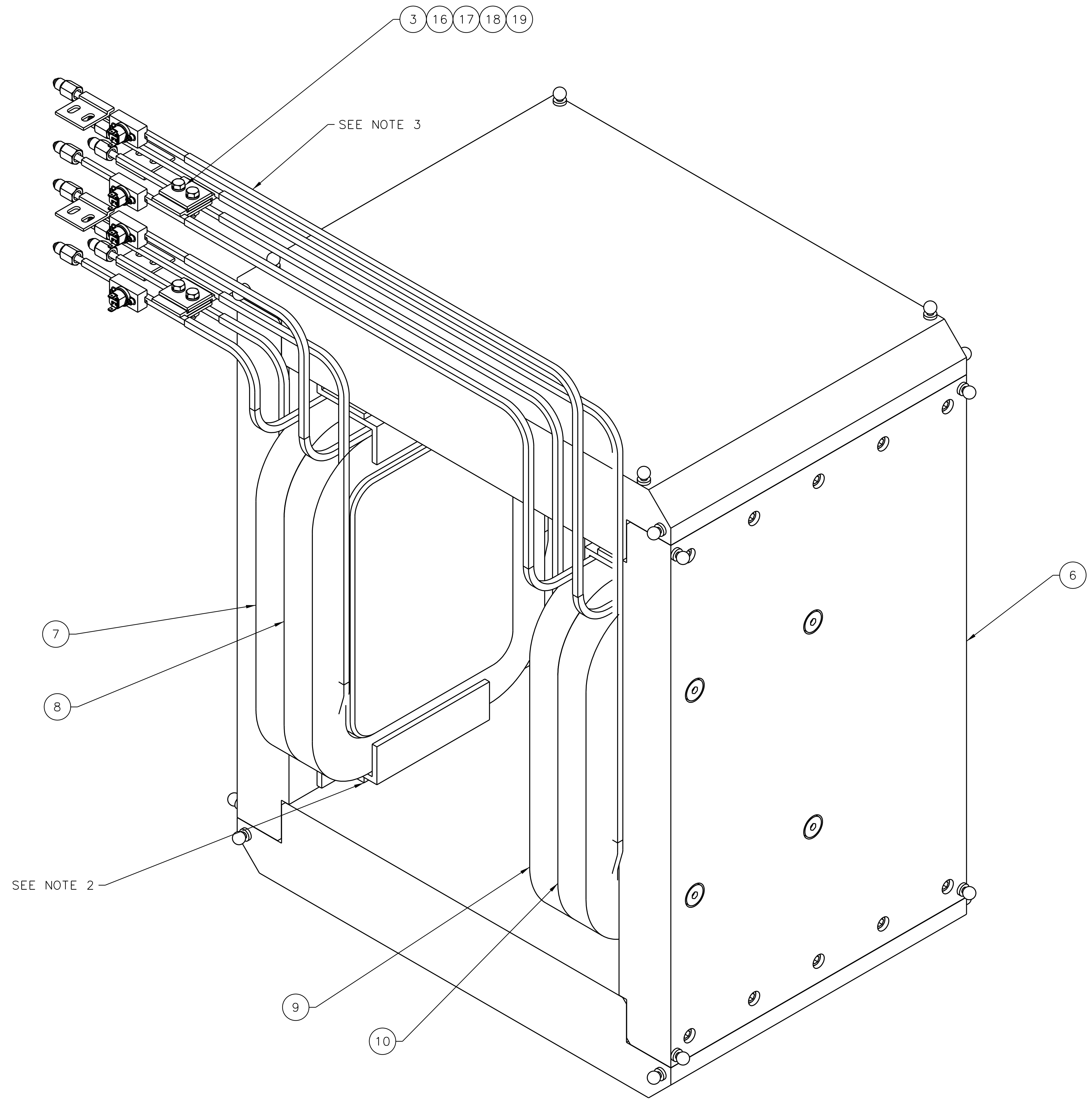


REVISION HISTORY				
ZONE	REV	DESCRIPTION	DATE	APPROVED

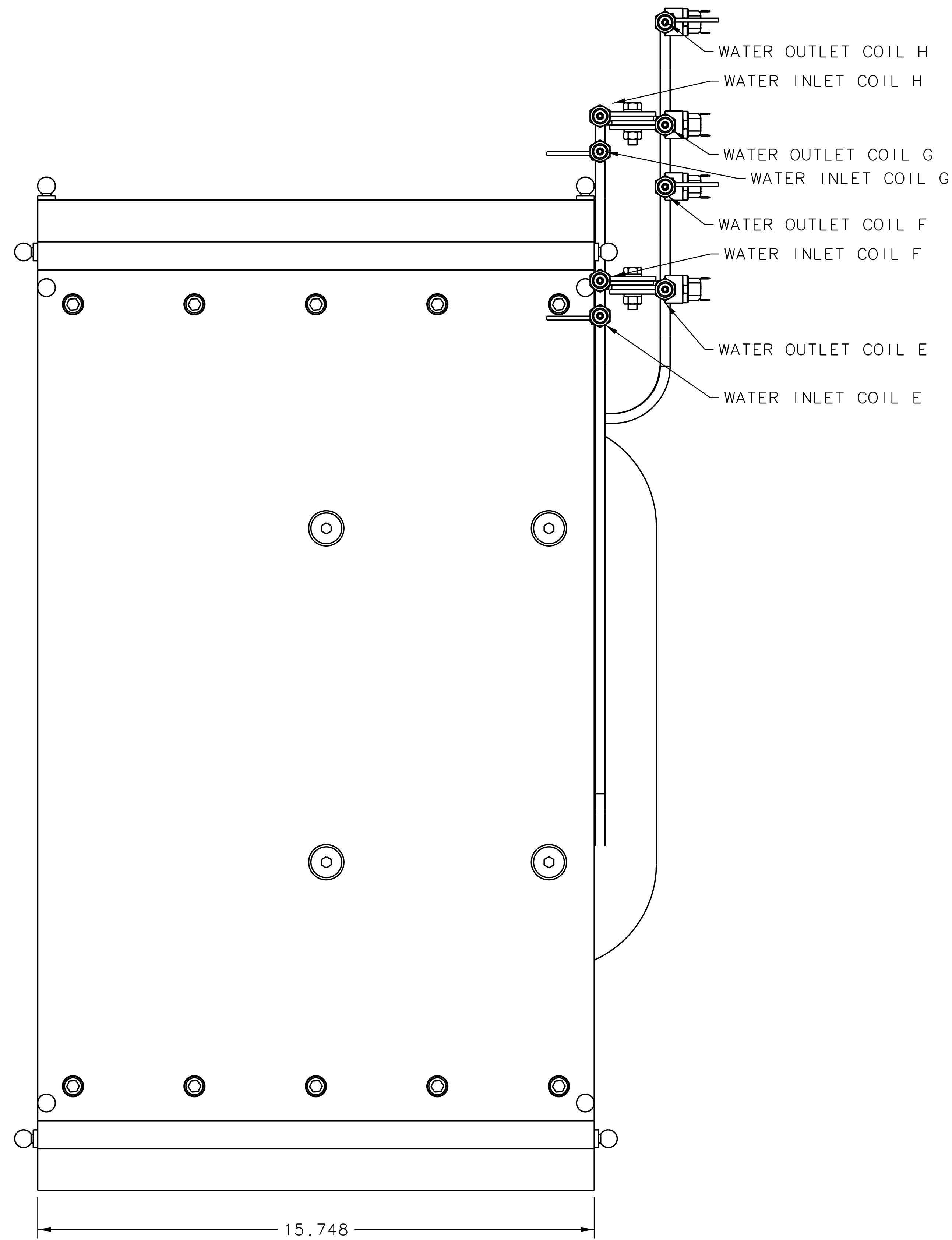


ISO VIEW 1-6C

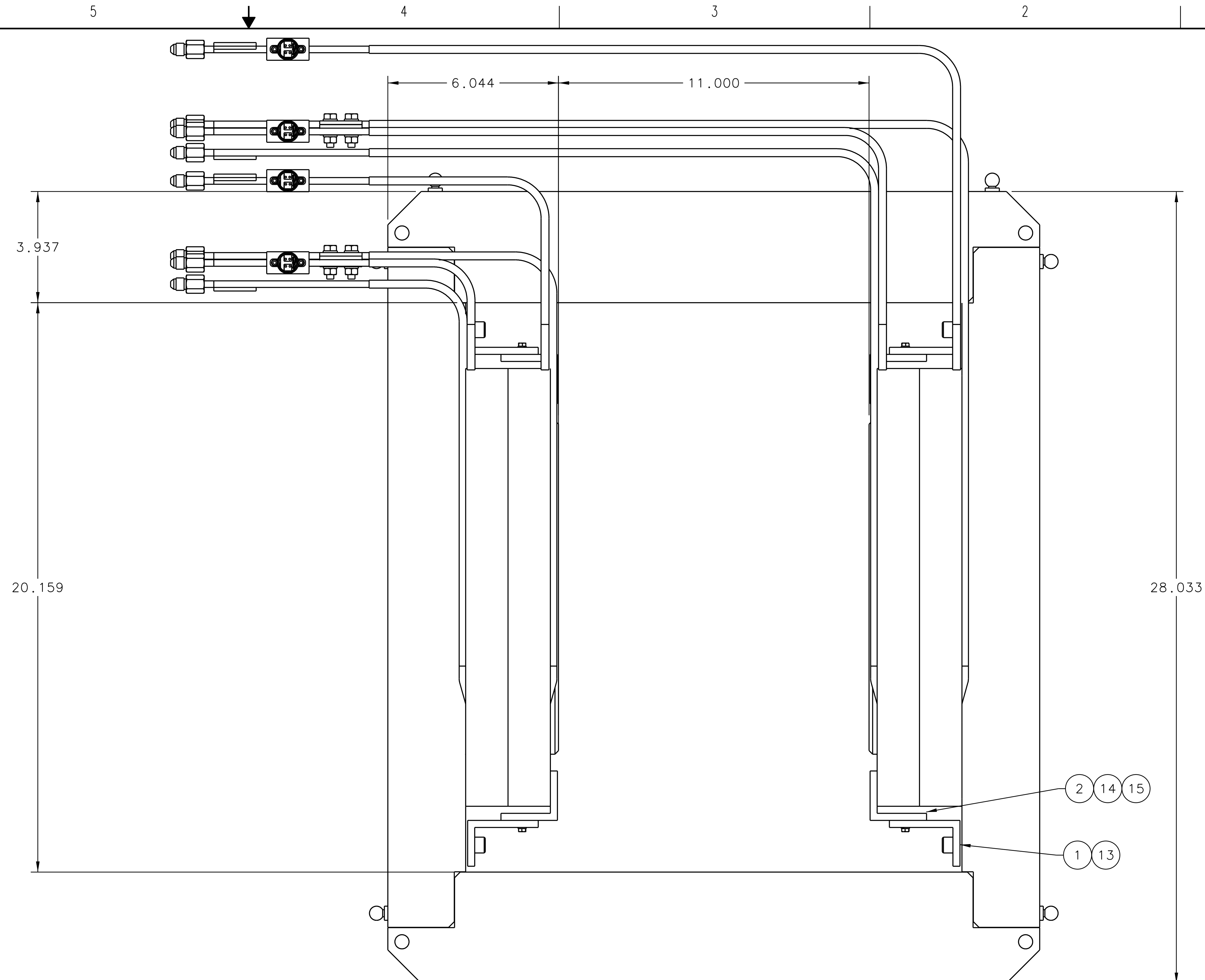
- NOTES:
1. APPROX. WEIGHT 1600 LBS.
  2. ANY PLACES WHERE THERE IS A GAP BETWEEN THE COILS AND THE METAL MOUNTING BRACKETS, THE VENDOR SHOULD PROVIDE A G-10 OR PHENOLIC SHIM.
  3. LEADS WILL BE CLAMPED AND SUPPORTED AT FINAL INSTALLATION IN HALL A AT JEFFERSON LAB.

QTY	ITEM NO.	PART OR IDENTIFYING NO.	QUANTITY OR DESCRIPTION	MATERIAL SPECIFICATION	NOTES
4	19	FASTENAL 78063 OR EQ	WASHER SPLIT LOCK 1/4 NOM DIA	STAINLESS STEEL	-
4	18	FASTENAL 78013 OR EQ	WASHER FLAT 1/4 NOM DIA	STAINLESS STEEL	-
4	17	FASTENAL 77710 OR EQ	HEX NUT 1/4-20	STAINLESS STEEL	-
4	16	FASTENAL 77005 OR EQ	SCREW HEX HD CAP 1/4-20 X 1 IN LG	STAINLESS STEEL	-
8	15	FASTENAL 1171057 OR EQ	WASHER SPLIT LOCK #8 NOM DIA	STEEL	-
8	14	FASTENAL 27838 OR EQ	HEX MACHINE SCREW #8-32 X .50 IN LG	STEEL	-
8	13	FASTENAL 23305 OR EQ	SHCS 3/8-16 X 1 IN LG	STEEL	-
-	12	-	-	-	-
-	11	-	-	-	-
1	10	A00000-04-00-3700	COIL ASSEMBLY H	COMPOSITE	-
1	9	A00000-04-00-3600	COIL ASSEMBLY G	COMPOSITE	-
1	8	A00000-04-00-3500	COIL ASSEMBLY F	COMPOSITE	-
1	7	A00000-04-00-3400	COIL ASSEMBLY E	COMPOSITE	-
1	6	A00000-04-00-2000	IRON ASSEMBLY DS	COMPOSITE	-
-	5	-	-	-	-
-	4	-	-	-	-
4	3	A00000-04-00-1001	ENTRANCE SPREADER	STAINLESS STEEL	-
4	2	A00000-04-00-1102	COIL MOUNTING BTM BRKT	ALUMINUM	-
4	1	A00000-04-00-1101	COIL MOUNTING TOP BRKT	ALUMINUM	-

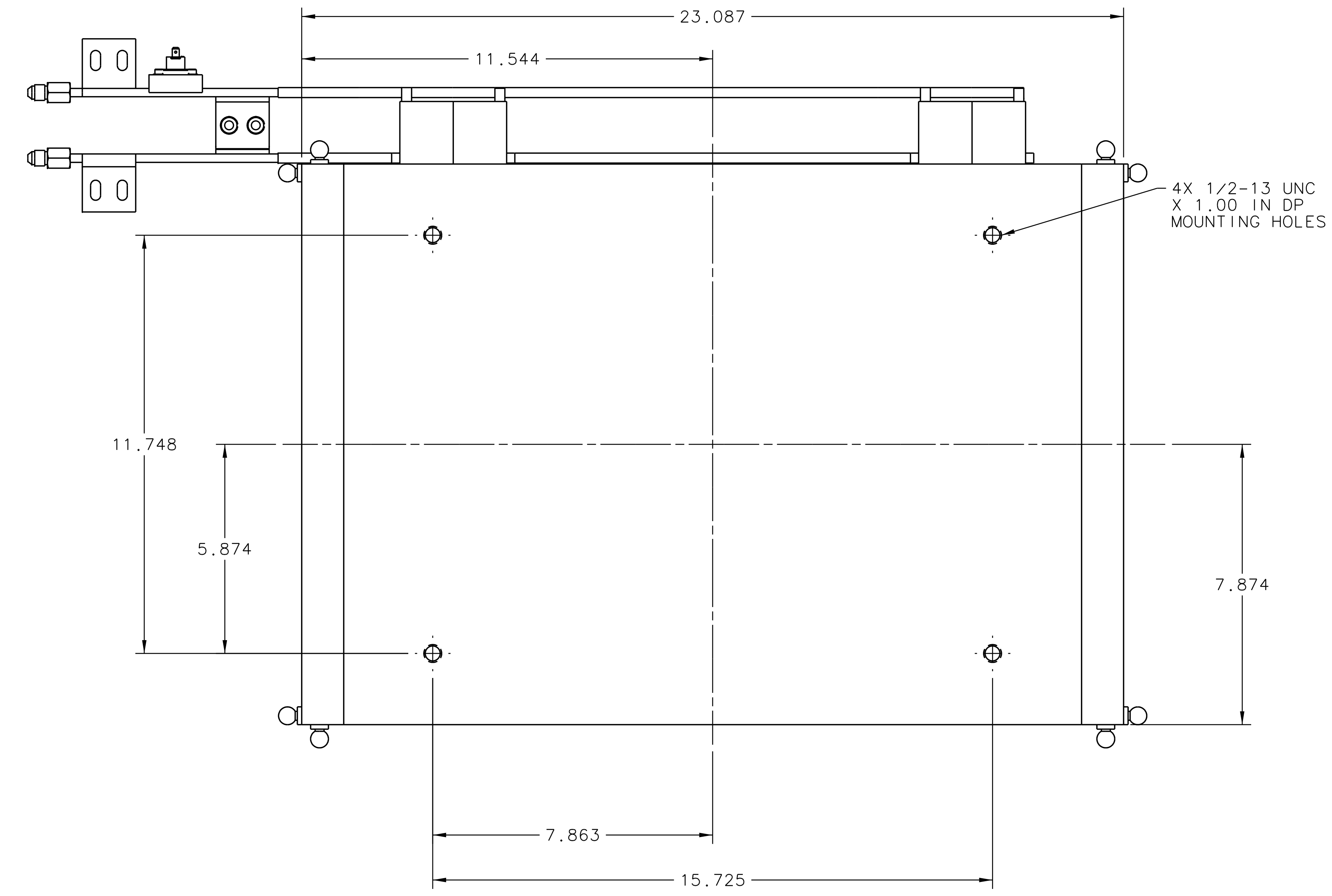
DOCUMENT CONTROL STAMP	DIM & TOL PER ASME Y14.5 UNLESS OTHERWISE SPECIFIED DIMENSIONS ARE IN INCHES TOLERANCES ARE: FRACTIONS DECIMAL ANGLES ± N/A ± .01 ± .50° ± .005 ± .005 ± .005	TRACKING NO. N/A	United States Department of Energy <b>Jefferson Lab</b> <small>Thomas Jefferson National Accelerator Facility</small> Newport News Virginia
MATERIAL: SEE PARTS LIST	THIRD ANGLE PROJECTION	APPROVALS DRAWN: J. MILLER CHECKED:	DATE: 2/24/15 HALL A - SBS PROGRAM MAGNET - DIPOLE SHIELDED BEAMLINE SBS CORRECTOR DIPOLE EXIT
FINISH: MACHINED SURFACES DEBURR & BREAK ALL SHARP EDGES UNLESS OTHERWISE NOTED		APPROVED:	SIZE (DWG. NO.): E SCALE: 1:2 (SEE DWG. NO. A00000-02-00-0000) SHEET 1 OF 2



SIDE VIEW 2-7E



FRONT VIEW 2-3E



BOTTOM VIEW 2-3A

DOCUMENT CONTROL STAMP	SIZE DWG. NO.	REV.
<b>E</b>	A00000-04-00-1100	-
SCALE 1:2	ISS IN ASSY NO. A00000-02-08-0000	SHEET 2 OF 2